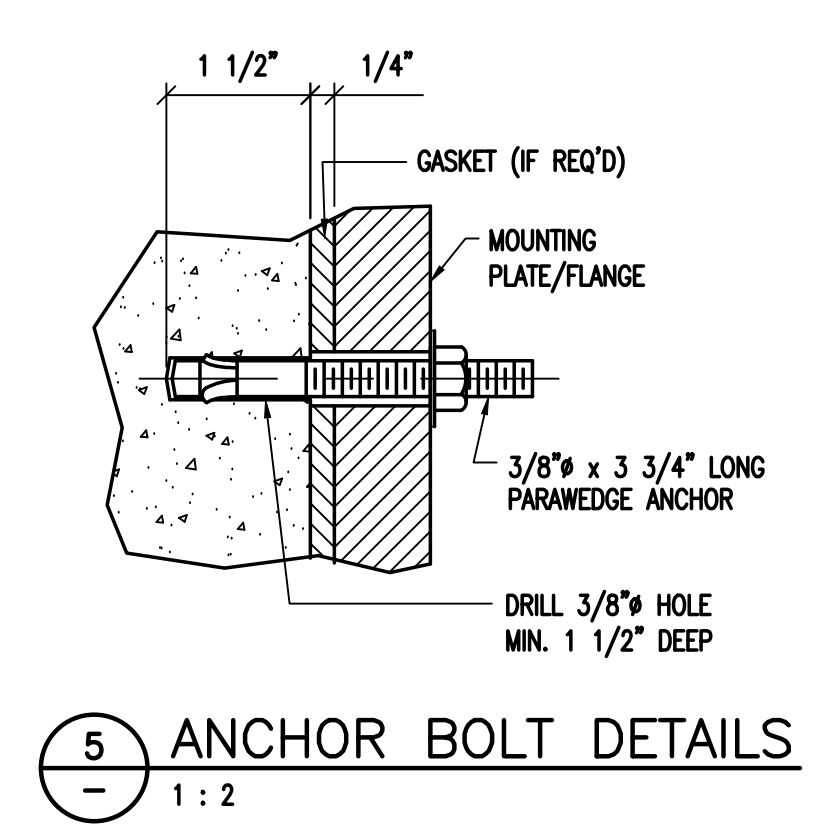
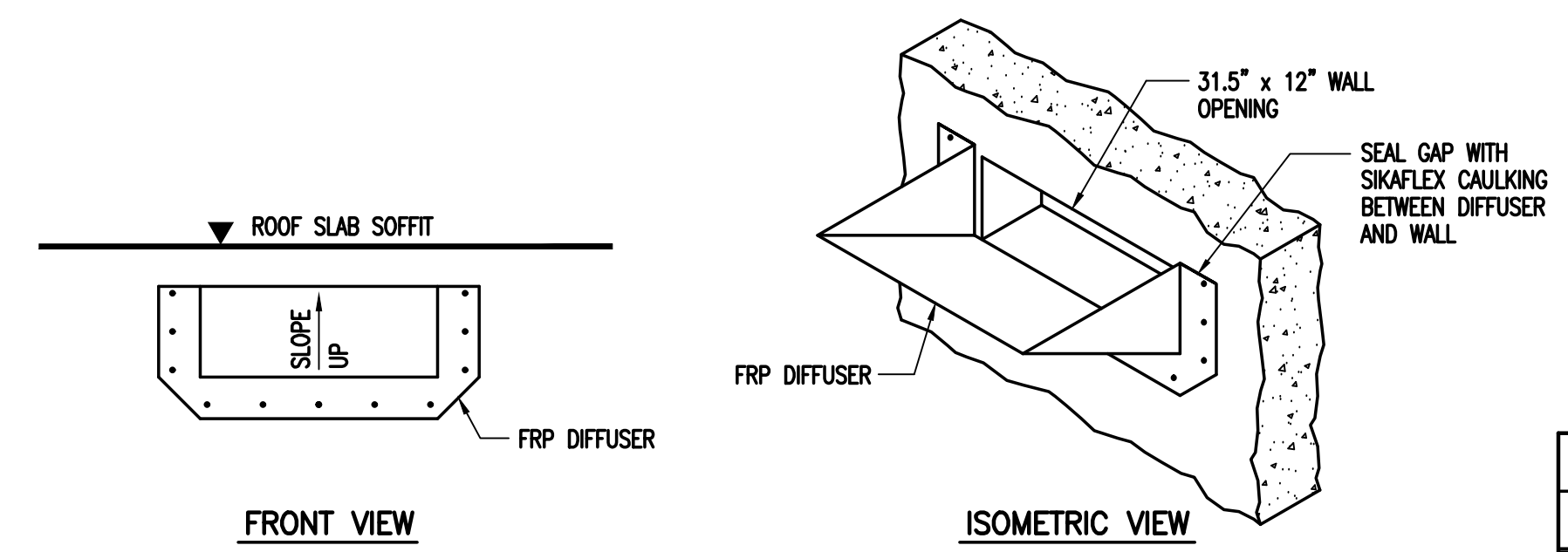
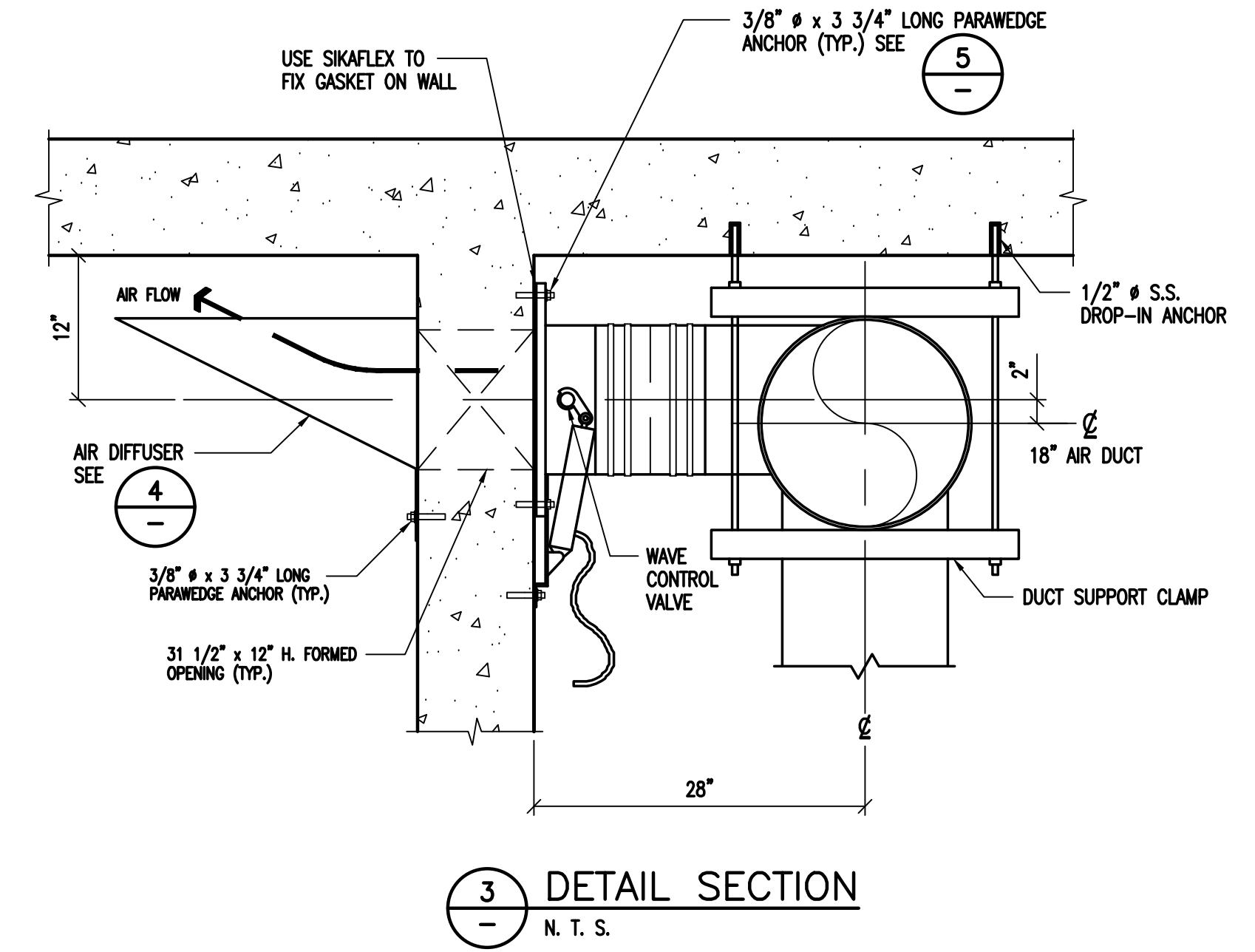
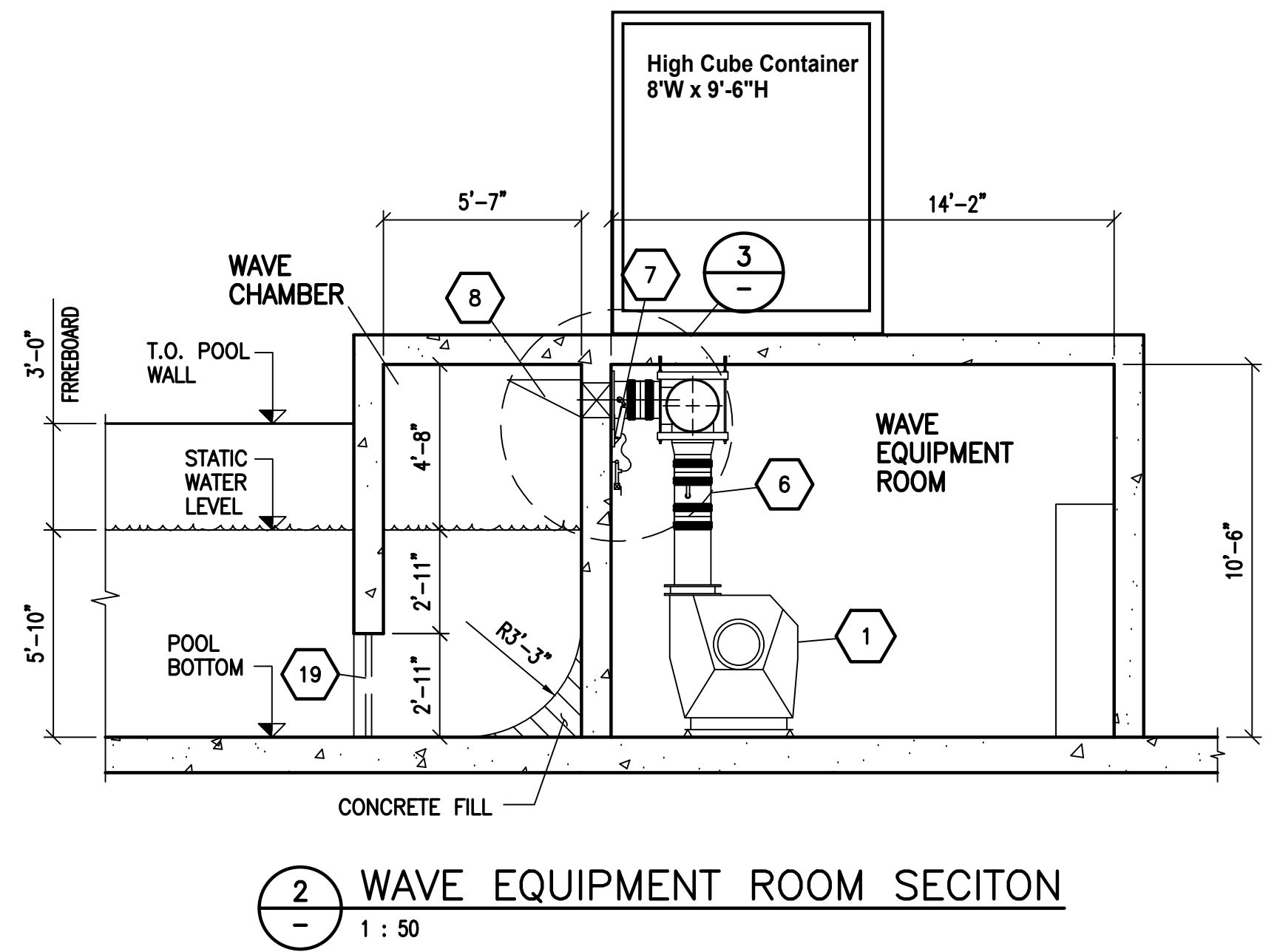
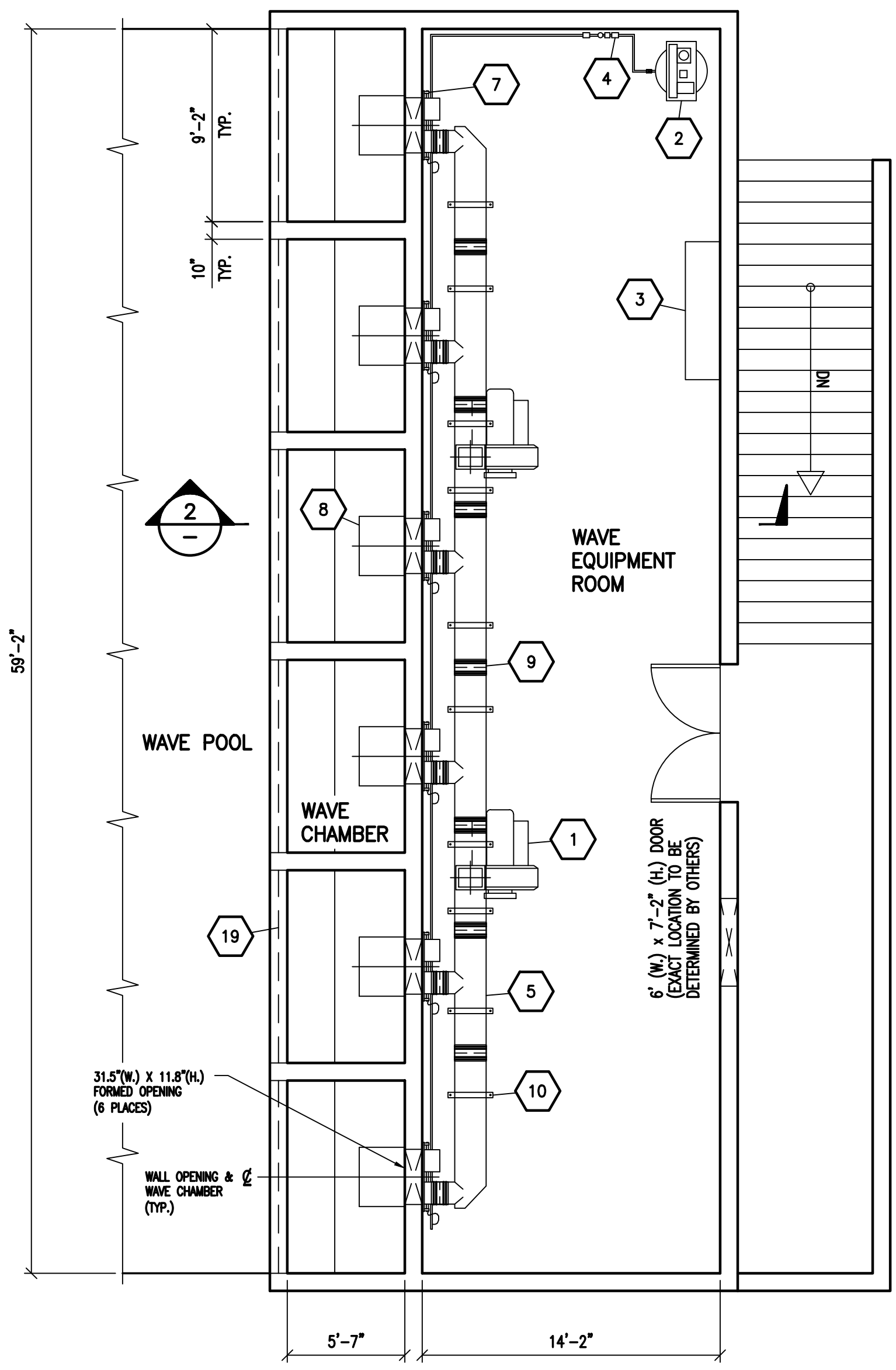


PLOT DATE: 2021-07-22 PLOT TIME: 14:35 FILE NAME: 44817W700
 COPYRIGHT © 2017 BY WHITEWATER WEST INDUSTRIES LTD. ALL RIGHTS RESERVED. THIS DOCUMENT AND THE INFORMATION IT CONTAINS IS PROPERTY AND CONFIDENTIAL. IT IS FORWARDED BY WHITEWATER WEST INDUSTRIES LTD. TO YOU UNDER A LICENSE. THIS DOCUMENT AND THE INFORMATION IT CONTAINS IS NOT TO BE REPRODUCED, COPIED, OR TRANSMITTED IN ANY FORM OR BY ANY MEANS, WITHOUT THE EXPRESS WRITTEN PERMISSION OF WHITEWATER WEST INDUSTRIES LTD.
 TEMPLATE VERSION: 2020-07-IMP



- NOTES :
- ALL CONCRETE WALLS ASSUMED TO BE 10" THICK. STRUCTURAL ENGINEERS TO DETERMINE FINAL WALL THICKNESS.
 - RECOMMENDED EQUIPMENT ROOM VENTILATION OF 3000 CFM.
- MINIMUM RECOMMENDED FREE AIR OPENING TO ATMOSPHERE 32ft²

PRELIMINARY
 NOT FOR CONSTRUCTION

EQUIPMENT LIST			
ITEM	DESCRIPTION	QUANTITY	SUPPLIER
1	HIGH PRESSURE FAN and MOTOR	2	WHITEWATER
2	PNEUMATIC COMPRESSOR	1	WHITEWATER
3	MOTOR CONTROL CENTER and MASTER CONTROL	1	WHITEWATER
4	PNEUMATIC TUBING and ACCESSORIES	1 SET	WHITEWATER
5	FRP DUCT	1 SET	WHITEWATER
6	SS CHECK VALVE	2	WHITEWATER
7	WAVE CONTROL VALVE	6	WHITEWATER
8	DIFFUSER	6	WHITEWATER
9	DUCT FLEX CONNECTOR	17	WHITEWATER
10	DUCT SUPPORT CHANNEL	9 SETS	WHITEWATER
11	REMOTE STOP/START STATION	1	WHITEWATER
13	EMERGENCY STOP BUTTON	4	WHITEWATER
14	ANCHOR BOLTS and MISCELLANEOUS PARTS	1 SET	WHITEWATER
15	SPARE PARTS KIT	1	WHITEWATER
16	INSTALLATION		OTHERS
17	ELECTRICAL WIRING and CONDUIT		OTHERS
18	VENTILATION SYSTEM		OTHERS
19	WAVE CHAMBER SAFETY GRILLES		OTHERS
20	OTHER EQUIPMENT as REQUIRED by LOCAL CODES		OTHERS
21	COMMISSIONING and OPERATOR TRAINING		WHITEWATER
22	INSTALLATION DRAWINGS and OPERATION MANUALS		WHITEWATER

1	ISSUED FOR INFORMATION	2021-07-23	
REV	REVISION DESCRIPTION/ISSUE RECORD	DATE	PE
DESIGNED BY	AT	DATE	2021-07-22
DRAWN BY	KCH	DATE	2021-07-22
SIZE	D	SCALE	PER VIEW
		ARCHIVE FILE No.	44817W700

NOTE:- IMPERIAL DIMENSIONS
 ALL ELEVATIONS AND CO-ORDINATES ARE IN FEET
 ALL OTHER DIMENSIONS ARE IN FEET AND INCHES

WHITEWATER.
 EST. 1980
 WHITEWATER WEST INDUSTRIES LTD.
 180-6651 Fraserwood Place, Richmond, B.C. V6W1J3 Canada
 TEL: 1-604-273-1068 WEB: www.whitewaterwest.com

GROUP W
59 FT WAVE POOL
EQUIPMENT ROOM PLAN & SECTIONS
DIGGERLAND WP EXPANSION PHASE TWO '22
WEST BERLIN, NJ, UNITED STATES

PROJECT No.	DRAWING No.	REVISION
44817	W700	1